

QTIS Outboard rotary product program

The oldest products in our Tyre Inflation product range are the outboard rotary joints. We have a selection for you of the most sold models. Besides the basic model we have three models which allow you to come as close as possible to the tyre with a second port so you can measure the tyre pressure almost correctly during inflating or deflating. However the higher the airflow, the bigger the difference between the static pressure in the tyre, and in the point where you measure the dynamic pressure in the airflow.



If you have any different requirements for your rotary joints please contact us. You might require privat labelling, special packing or even the aluminium anodised in color. Been there, done that.



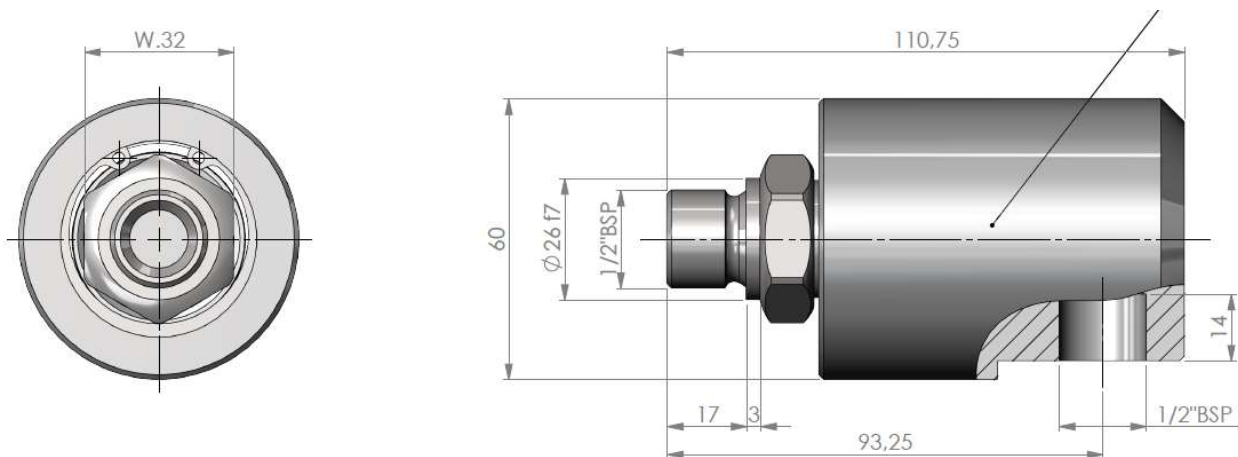
Outboard rotary joint QTIS-OB RJ-VF

The QTIS-OB RJ-VF rotary joint allows for one single airline to be transferred from fixed position assembled in the centreline of the axle (rotor), into rotating house following the wheel.

Anodised aluminium body with carbon steel rotor, both with G1/2 BSP thread. SKF bearings and PTFE+C (carbon filled "Teflon") against a carbon steel seal. QTIS logo.

Max 3000 RPM, 12 bar compressed air, T = -20°C / + 85°C, dry compressed air. Main dimensions $\varnothing 60 \times 111\text{mm}$.

PDF drawings and STEP files on request.



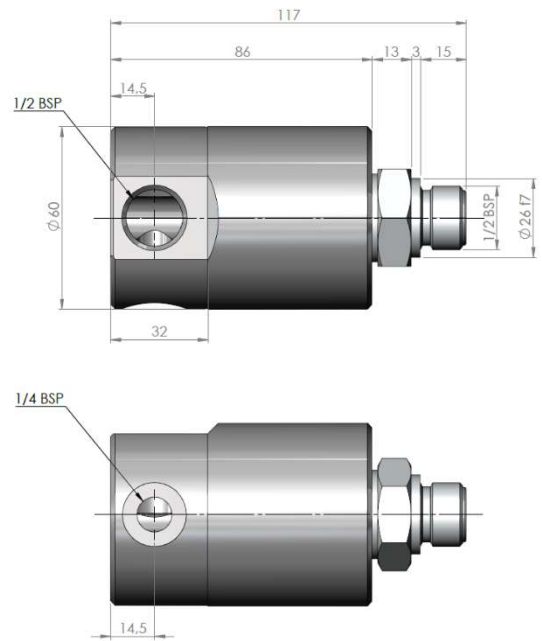
Outboard rotary joint QTIS-OB RJ-7475

This is the first of three models which allow you to measure the tyre pressure as close as possible to the tyre with help from a second (G1/4") port in the body. This gives you the best option to measure the tyre pressure correctly (technically you should measure inside the tyre for the best control during pressure setting)

Anodised aluminium AL 6063 body with stainless steel 304 rotor, both with G1/2 BSP thread. SKF 2RS bearings and SiC / CG (Silicium Carbide/ Carbon Graphite) pairing for the mechanical seal encapsulated with an oil drenched felt ring. QTIS logo.

Max 3000 RPM, 12 bar compressed air, T = -20°C / + 85°C, dry compressed air. Main dimensions Ø60 x 117mm. This joint will work a lifetime and is designed without any compromises.

PDF drawings and STEP files on request.



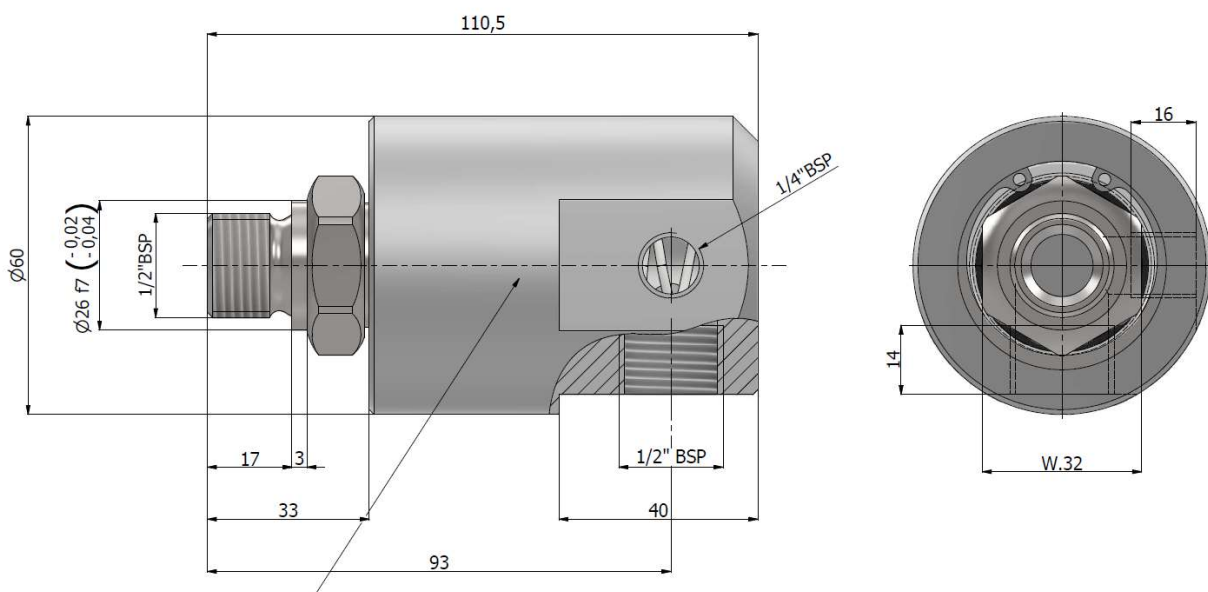
Outboard rotary joint QTIS-OB RJ-50025

The 50025 is the low budget version of the 7475 with practically the same dimensions, but other materials are used.

Anodised aluminium body with carbon steel rotor, both with G1/2 BSP thread. Additional G1/4" thread for pressure measuring. SKF bearings and PTFE+C on carbon steel pairing for the seal. QTIS logo.

Max 3000 RPM, 12 bar compressed air, T = -20°C / + 85°C, dry compressed air. Main dimensions Ø60 x 111mm.

PDF drawings and STEP files on request.



Outboard rotary joint QTIS-OBRJ-40025

The 40025 is reduced in body length to accommodate the situations where size is even more critical.

Anodised aluminium body with carbon steel rotor, both with G1/2 BSP thread. Additional G1/4" thread for pressure measuring. SKF bearings and PTFE+C on carbon steel pairing for the seal. Max 3000 RPM, 12 bar compressed air, T = -20°C / + 85°C, dry compressed air. Main dimensions Ø60 x 75mm.

PDF drawings and STEP files on request.

